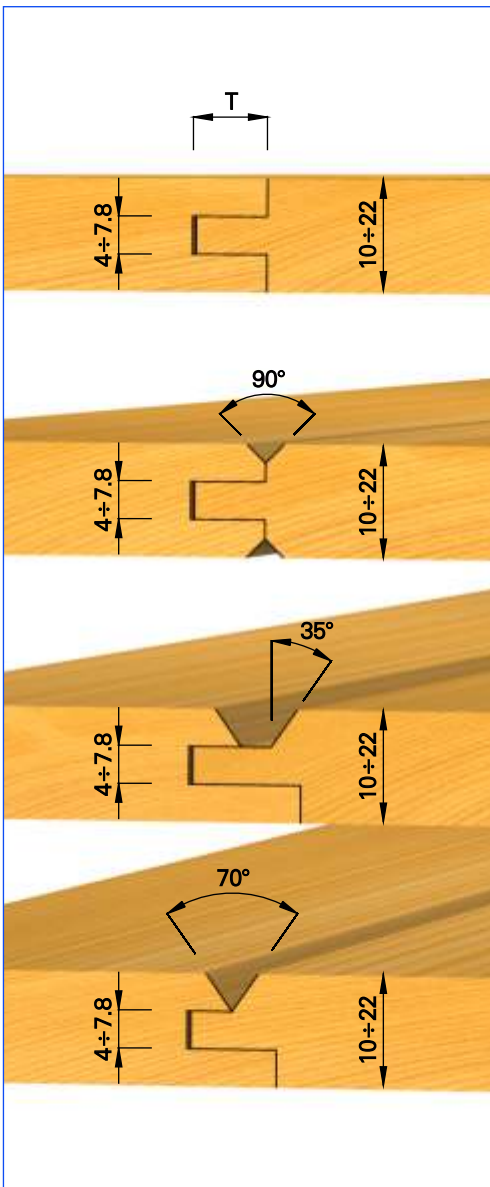
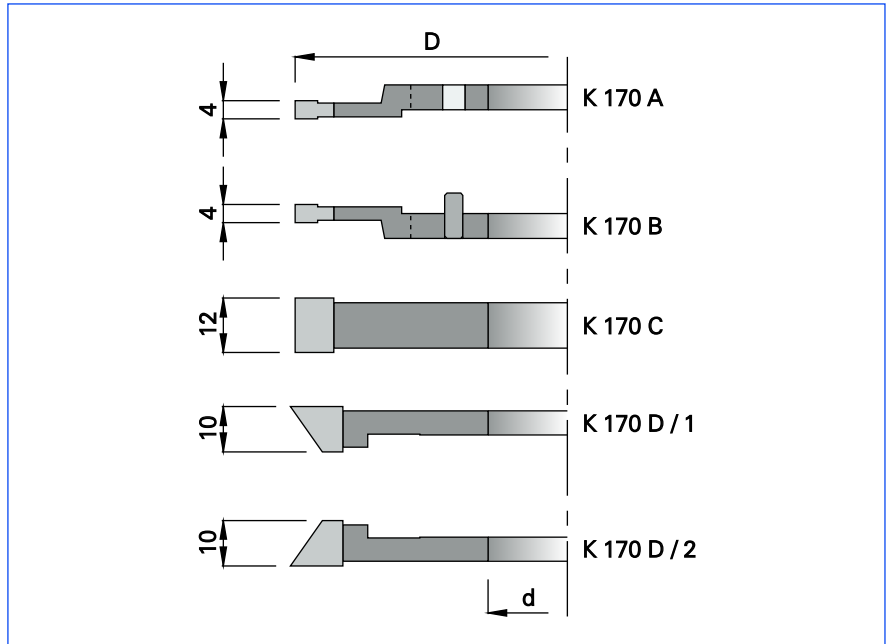




HW

MAN

D 120 n 6400 - 9500
D 160 n 4800 - 7100



SET COMPLETO.				
D	d	T	Z	COD. SET
120	30	18	2	K1700030HW
120	31.75	18	2	K1700031HW
120	35	18	2	K1700035HW
120	40	18	2	K1700040HW
160	50	25	2	K1700050HW

ART.	D	d 30 COD.	d 31.75 COD.
K170 - A	120	K170A030HW	K170A031HW
K170 - B	120	K170B030HW	K170B031HW
K170 - C	120	K170C030HW	K170C031HW
K170 - D/1	120	K170D130HW	K170D131HW
K170 - D/2	120	K170D230HW	K170D231HW

ART.	D	d 35 COD.	d 40 COD.
K170 - A	120	K170A035HW	K170A040HW
K170 - B	120	K170B035HW	K170B040HW
K170 - C	120	K170C035HW	K170C040HW
K170 - D/1	120	K170D135HW	K170D140HW
K170 - D/2	120	K170D235HW	K170D240HW

ART.	D	d 50 COD.
K170 - A	160	K170A050HW
K170 - B	160	K170B050HW
K170 - C	160	K170C050HW
K170 - D/1	160	K170D150HW
K170 - D/2	160	K170D250HW

Tongue and groove cutter set.

Juego de fresas para machihembrados y juntas.

Jeu de fraises pour rainures et bouvetage.

Fräsersatz für Nut - und Feder.

